



## SM\_VMC and SM\_II\_VMC for the SiteManager II / SensorManager II

### Description & Function:

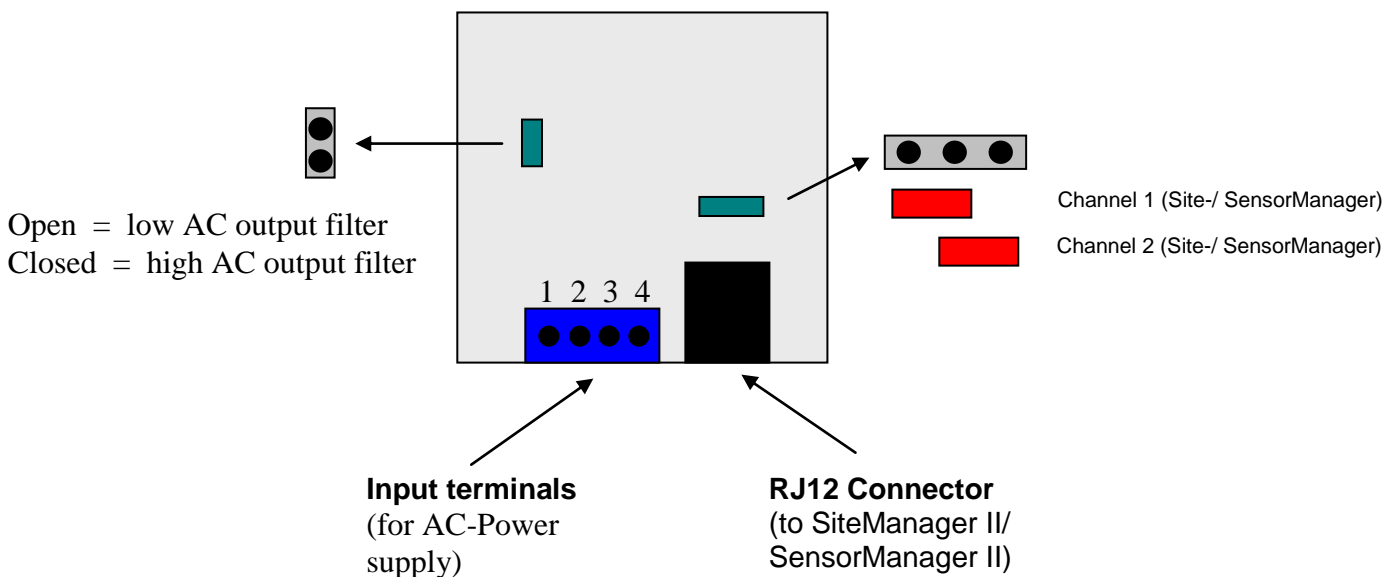
The SM\_VMC / SM\_II\_VMC is a voltage measuring unit for the connection at the analog socket of the SiteManager II or SensorManager II.

Connect the SM\_VMC / SM\_II\_VMC over an outlet via the delivered AC-power supply (8VAC/500mA) to the electric circuit, which you want to measure. The power supply conduces as voltage converter and separates the SM\_VMC / SM\_II\_VMC from the primary electric circuit galvanically. The secondary signal of the AC-power supply will be converted into the SM\_VMC / SM\_II\_VMC to a TrueRMS signal and forwarded as analog signal (0-10VDC) to the SiteManager II / SensorManager II. This signal will be displayed onto a web-interface and the operator can handle it via the „Event Configuration“. The AC-power supply and the SM\_VMC / SM\_II\_VMC are coordinated and calibrated on each other. Please note, that you do not replace them offhand.

### Starting Up:

Connect the delivered AC-power supply (8VAC/500mA) over an outlet to the electric circuit, which you want to measure. Connect the 6-pole RJ12 cable from the SM\_VMC / SM\_II\_VMC port at the analog input of the SiteManager II / SensorManager II. Define the configuration of the accordant analog input with the sensor range, which is denoted at the bottom of the SM\_VMC / SM\_II\_VMC.

### Sockets & Jumper:



### Attachment of the Sensor Housings:

- Open the housing at the allocated marking.
- Loose the 4 board screws and unplug the board.
- Bore holes into the accordant markings and mount the housing with dowels at a wall.
- Please note, that the air slits of the sensors will be always exposed.

Please order the article BACS\_MNTK for the assembly at top-hat rails.

- Mount the clip via counterbore of the bottom panel with the enclosed screw.
- Please note, that the lug for the loosening of the top-hat rail will be easy-to-reach.
- The drilled hole should not be centrally arranged, but rather deeper accordingly.
- Attach the housing via clasping at the top edge of the top-hat rail and press the lug from top to below until the lock.

**Technical Data:**

AC-Power supply:	9VAC/650mA
Power supply:	12 – 24 VDC
Consumption:	approx. 30mA
Connection cable:	RJ126_5, 5_m (incl.)
Dimensions:	70 x 70 x 40 mm (L x W x H)